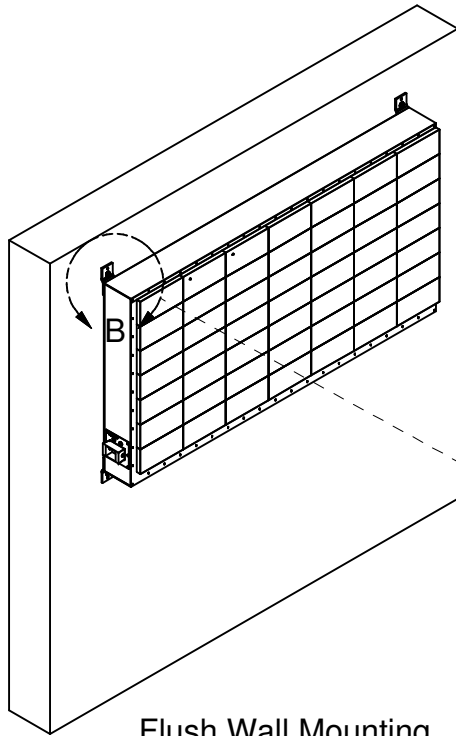


Important. Read before installation.

This is not an engineered drawing. It is intended for representation purposes only. The dimensions called out on this drawing are intended to be used as a guide only, and are not intended to be suitable for all conditions. Information specific to the message center, such as assembly instructions and electrical connections, may be found in the installation manual for that message center.

Nevco recommends that you consult a professional engineer or architect familiar with the area before attempting installation. They can verify that the selected mounting beams or posts along with the brackets, screws, and other hardware items provided by you or Nevco are adequate for your local soil conditions, wind loads and other conditions. If procedures are used that are not covered in this drawing, careful analysis of the installation is urged.

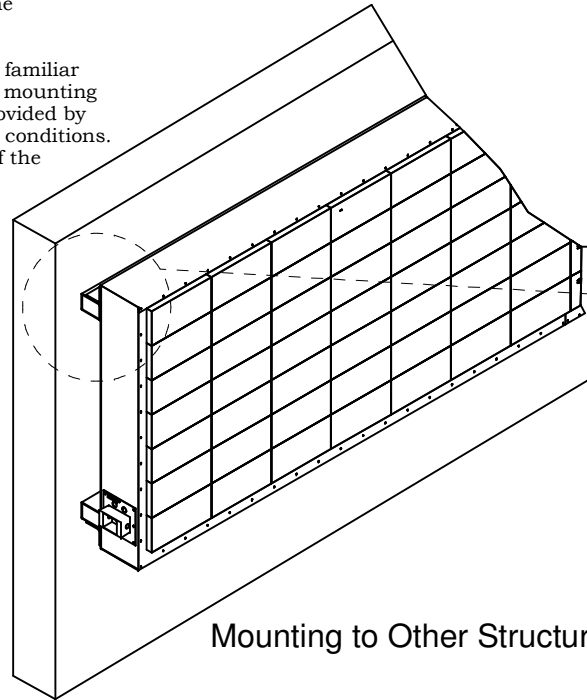
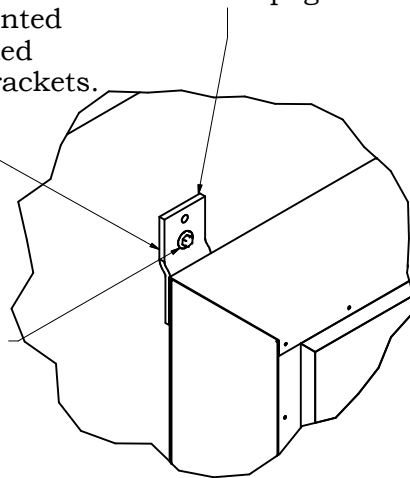


Flush Wall Mounting

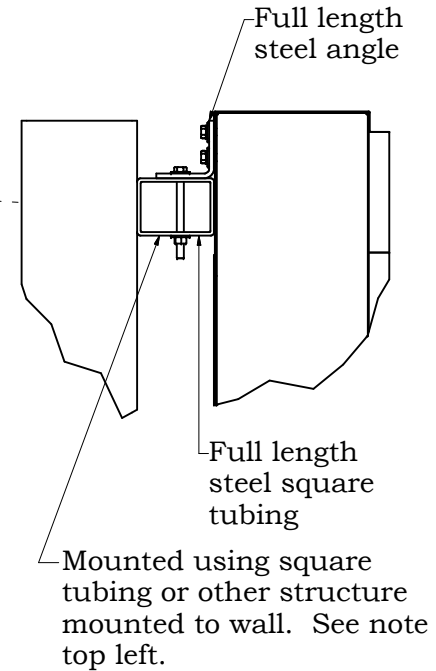
* Flush mounted using supplied mounting brackets.

Use anchors where applicable. (Supplied by others). See note top left.

Message centers may be lifted by mounting brackets. See page 2.



Mounting to Other Structure



Notes:

1. Mounting brackets must be mounted as shown prior to installation.
2. Refer to sheet 4 for cabinet weights and dimensions.

Standard Message Center
Indoor Mounting
Instructions



Nevco, Inc.
Greenville, Illinois 62246

Drawing No. 241-0300

Drawn DBB

Date 01/26/10

Sheet 1 of 4

Lifting with Brackets

Rev

Lift with clevis on two outer mounting brackets on top of cabinet.

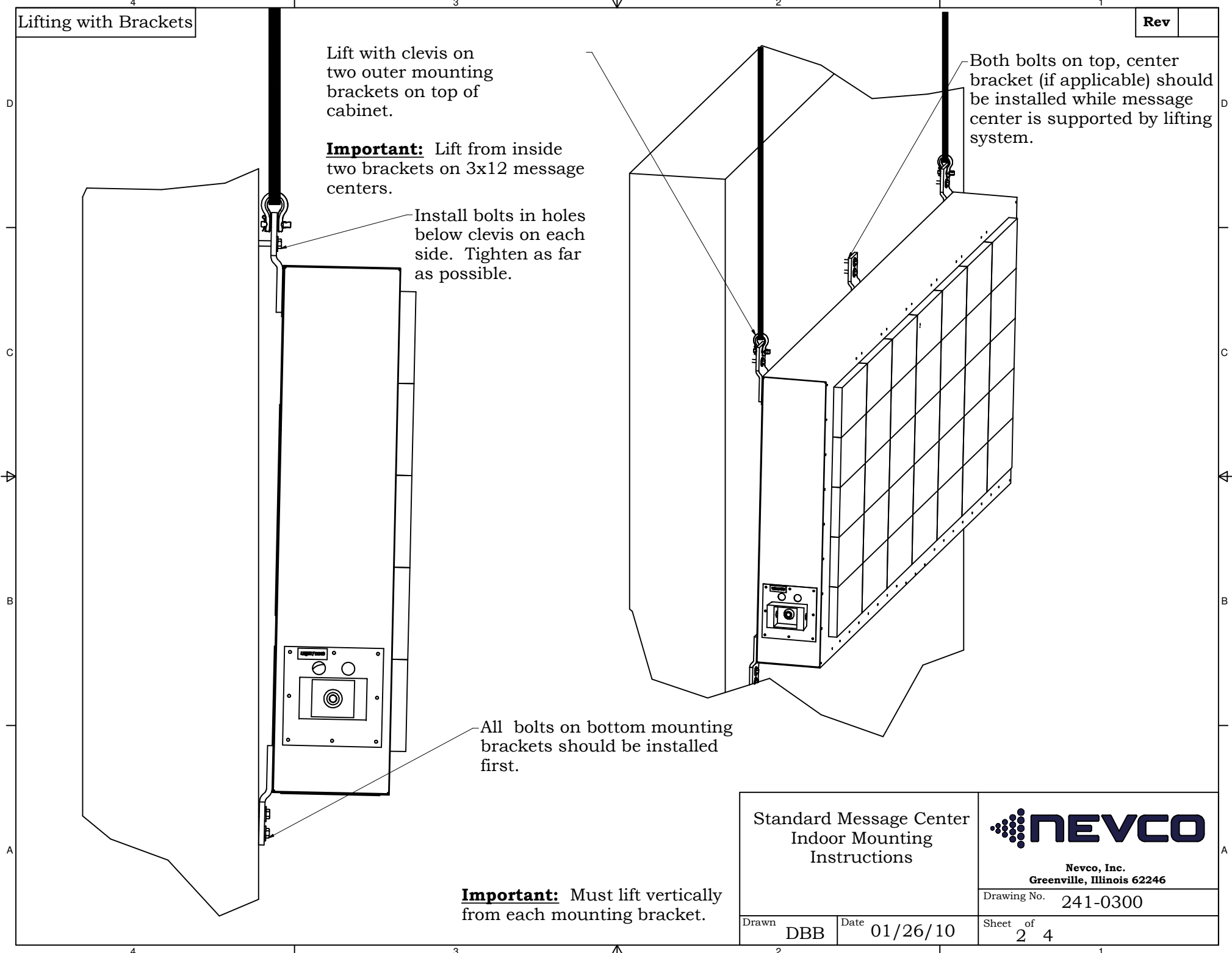
Important: Lift from inside two brackets on 3x12 message centers.

Install bolts in holes below clevis on each side. Tighten as far as possible.

Both bolts on top, center bracket (if applicable) should be installed while message center is supported by lifting system.

All bolts on bottom mounting brackets should be installed first.

Important: Must lift vertically from each mounting bracket.



Standard Message Center
Indoor Mounting
Instructions

Drawn DBB Date 01/26/10

NEVCO

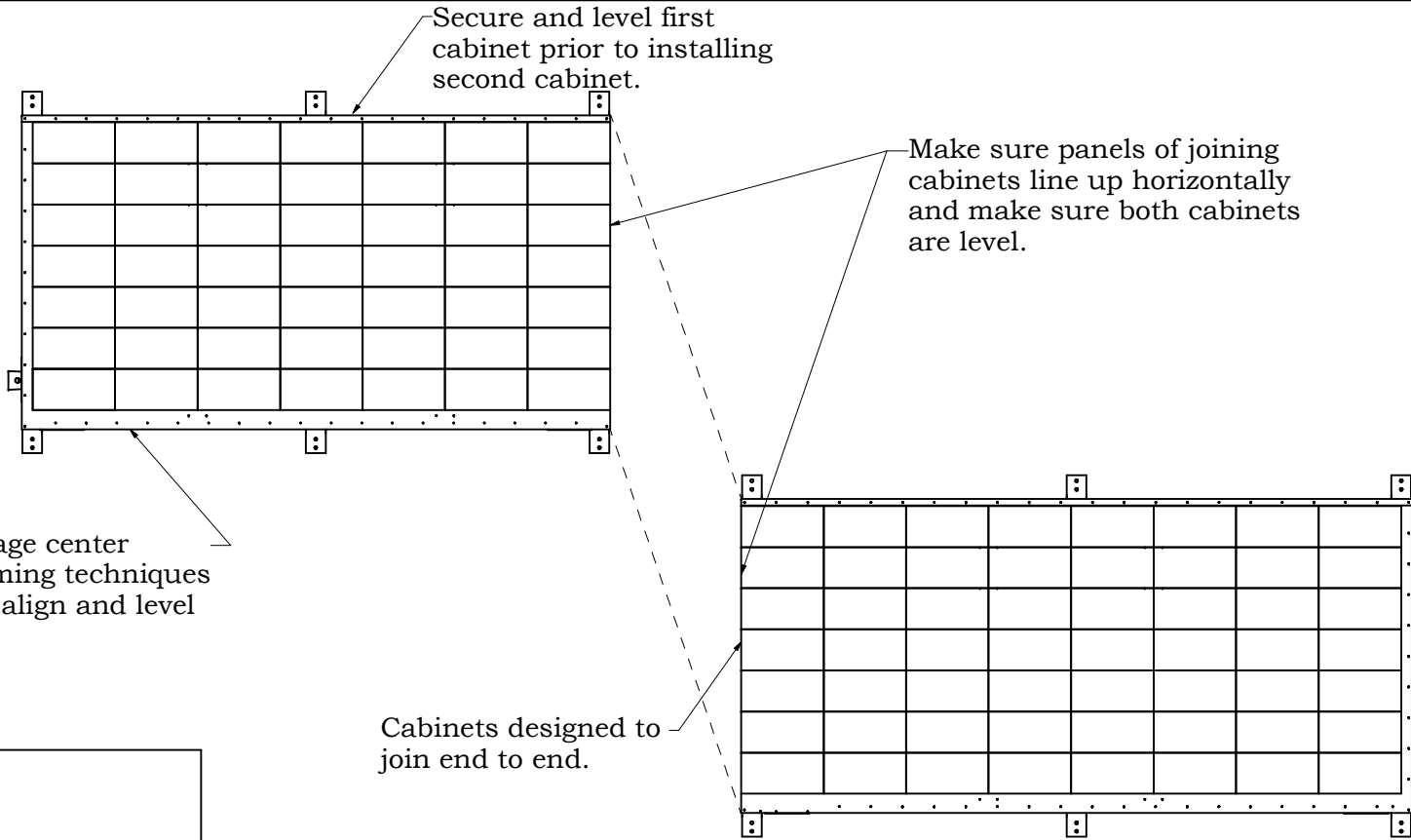
Nevco, Inc.
Greenville, Illinois 62246

Drawing No. 241-0300

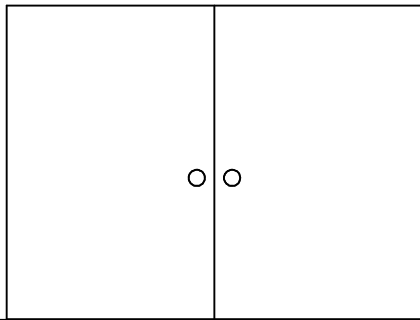
Sheet 2 of 4

Two Section Cabinet
Installation

Rev



If installing message center on laterals, shimming techniques can be utilized to align and level the two cabinets.



Standard Message Center
Indoor Mounting
Instructions



Nevco, Inc.
Greenville, Illinois 62246

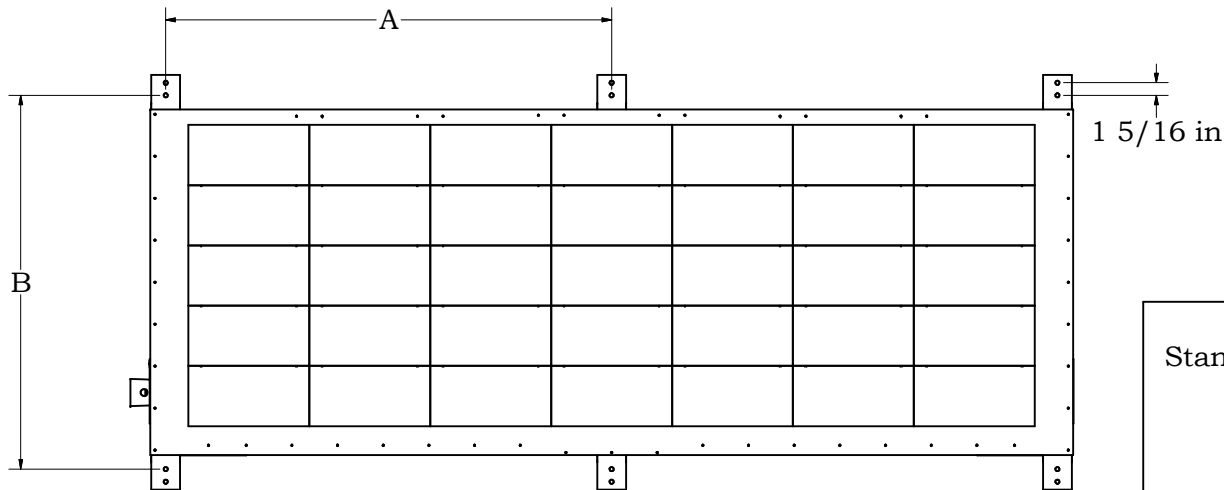
Drawing No. 241-0300


Drawn DBB

Date 01/26/10

Sheet 3 of 4

Message Center	Cabinet Weight			Dimension A / (# Brackets)			Dimension B (all msg cntr pitches)
	(16mm)	(20mm)	(32mm)	(16mm)	(20mm)	(32mm)	
4' x 8'	225	238	208	46 3/8" (6)	46 3/8" (6)	46 3/8" (6)	50 15/16"
4' x 10'	273	317	250	58 3/8" (6)	58 3/8" (6)	58 3/8" (6)	50 15/16"
4' x 12' Left	194	186	172	36 29/32" (6)	62 15/32" (4)	34 3/8" (6)	50 15/16"
4' x 12' Right	158	220	170	63 23/32" (4)	37 17/32" (6)	34 3/8" (6)	50 15/16"
4' x 16' Left	214	256	189	41 3/8" (6)	43 7/32" (6)	41 3/8" (6)	50 15/16"
4' x 16' Right	255	280	242	51 3/8" (6)	49 17/32" (6)	51 3/8" (6)	50 15/16"
3' x 6'	126			34 3/8" (6)			38 15/16"
3' x 8'	172	190	165	46 3/8" (6)	46 3/8" (6)	46 3/8" (6)	38 15/16"
3' x 10'	208	245	197	58 3/8" (6)	58 3/8" (6)	58 3/8" (6)	38 15/16"
3' x 12'	258	305	241	70 3/8" (6)	46 29/32" (8)	70 3/8" (6)	38 15/16"
3' x 16' Left			137			41 3/8" (6)	38 15/16"
3' x 16' Right			168			51 3/8" (6)	38 15/16"
2' x 6'	87			68 3/4" (4)			26 15/16"
2' x 8'	120		111	46 3/8" (6)		46 3/8" (6)	26 15/16"
2' x 10'			138			58 3/8" (6)	26 15/16"
2' x 12'			178			70 3/8" (6)	26 15/16"
1' x 6'	50			68 3/4" (4)			14 15/16"
1' x 8'	65			92 3/4" (4)			14 15/16"



Standard Message Center Indoor Mounting Instructions			
		Nevco, Inc. Greenville, Illinois 62246	
		Drawing No. 241-0300	
Drawn	DBB	Date	01/26/10
		Sheet	of 4 4