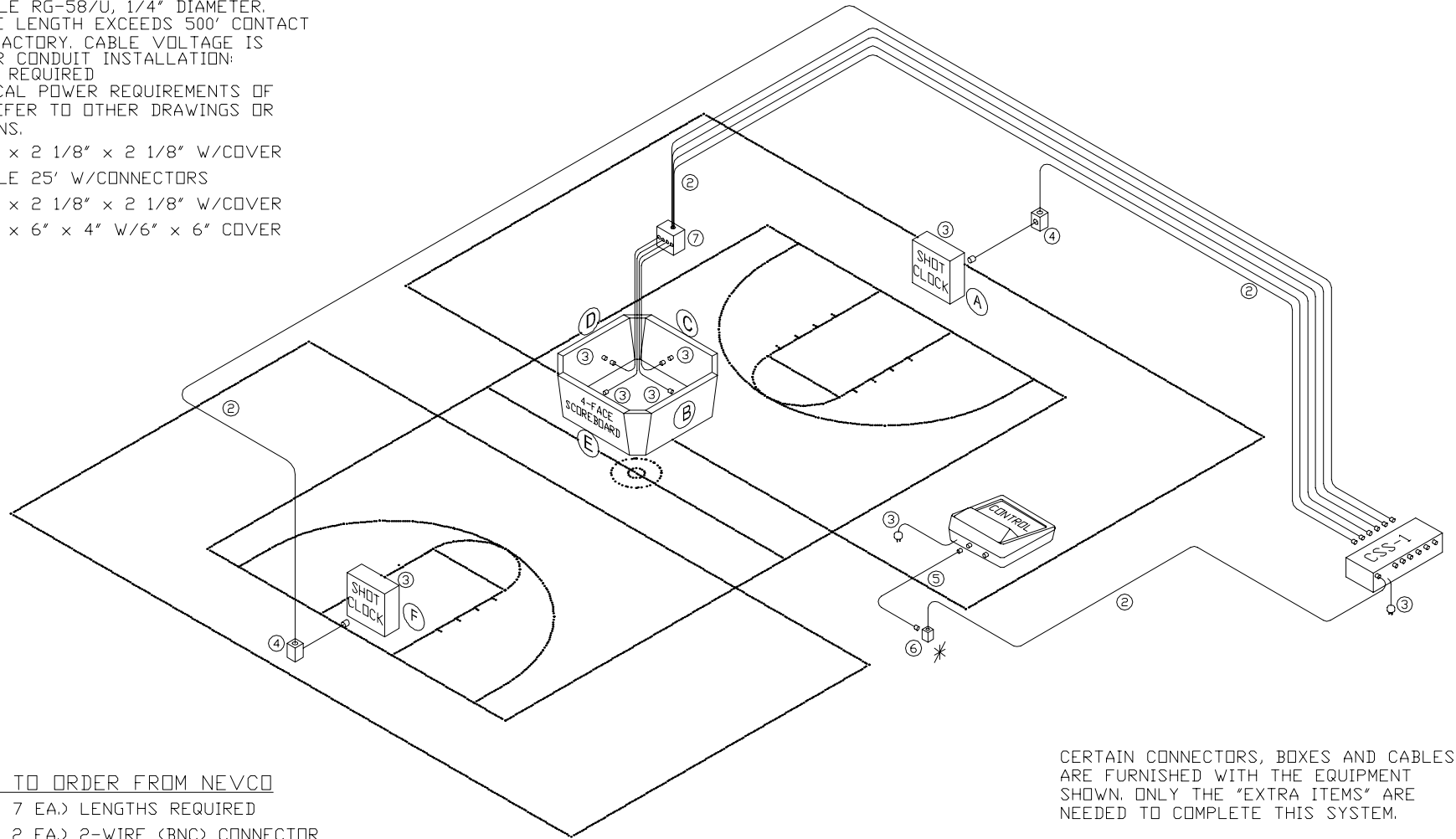


NOTES

1. WALL BOXES MUST BE EARTH GROUNDED TO THE SAME GROUND OR GUARANTEE IS VOID.
- ② CONTROL CABLE RG-58/U, 1/4" DIAMETER. IF ANY CABLE LENGTH EXCEEDS 500' CONTACT THE NEVCO FACTORY. CABLE VOLTAGE IS 5 VOLTS. FOR CONDUIT INSTALLATION: 1/2" CONDUIT REQUIRED
- ③ FOR ELECTRICAL POWER REQUIREMENTS OF EACH ITEM REFER TO OTHER DRAWINGS OR SPECIFICATIONS.
- ④ WALL BOX 4" x 2 1/8" x 2 1/8" W/COVER
- ⑤ CONTROL CABLE 25' W/CONNECTORS
- ⑥ WALL BOX 4" x 2 1/8" x 2 1/8" W/COVER
- ⑦ WALL BOX 6" x 6" x 4" W/6" x 6" COVER

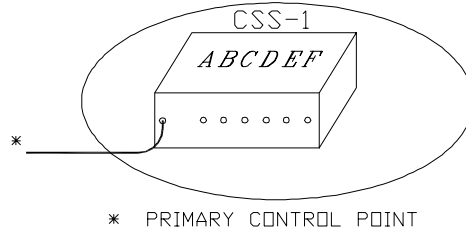
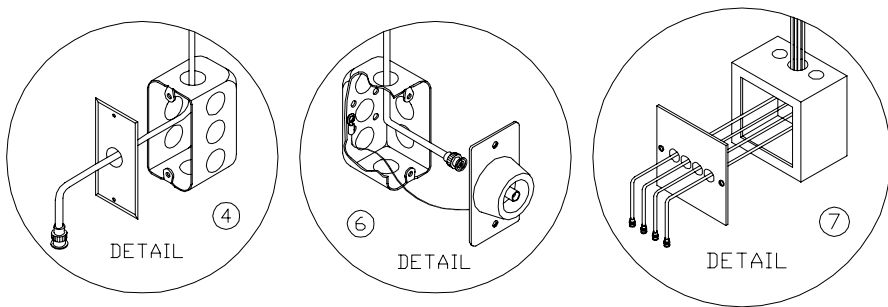


EXTRA ITEMS TO ORDER FROM NEVCO


- ② 009-0084 ( 7 EA.) LENGTHS REQUIRED
- 210-0008 ( 2 EA.) 2-WIRE (BNC) CONNECTOR

CERTAIN CONNECTORS, BOXES AND CABLES ARE FURNISHED WITH THE EQUIPMENT SHOWN. ONLY THE "EXTRA ITEMS" ARE NEEDED TO COMPLETE THIS SYSTEM.

NEVCO MANUFACTURES OTHER CSS MODELS THAT MAY MEET YOUR FUTURE NEEDS, CONTACT THE FACTORY OR YOUR REPRESENTATIVE.



\* PRIMARY CONTROL POINT

|   |                   |   |
|---|-------------------|---|
| BASKETBALL<br>4-FACE SCOREBOARD,<br>SHOT CLOCK SET<br>& CSS-1<br>SYSTEM |                   | <br>NEVCO SCOREBOARD CO.<br>GREENVILLE, ILLINOIS 62246 |
| DRAWN HW  |                   |   |
| DATE 3/24/00  | DRAWING NO. C7796 |   |
| SHEET 1   | OF 1              |   |