
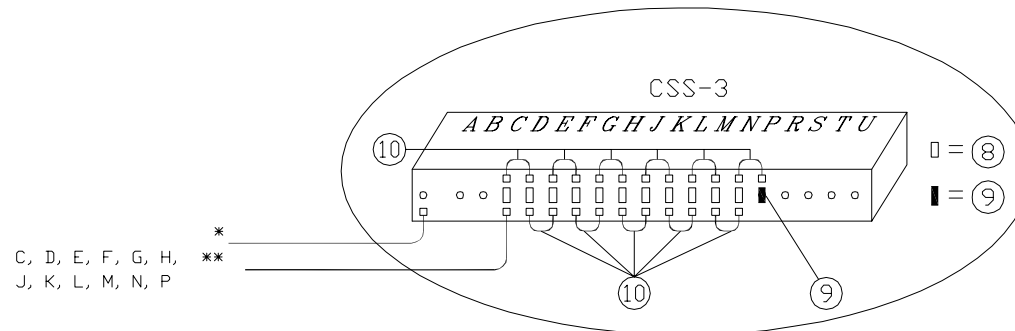
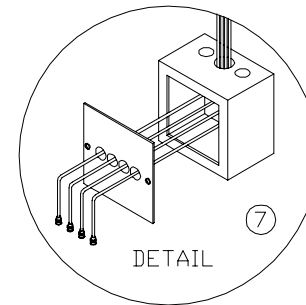
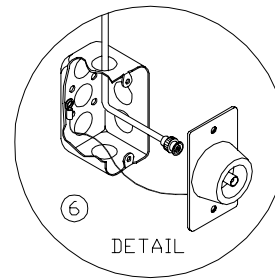
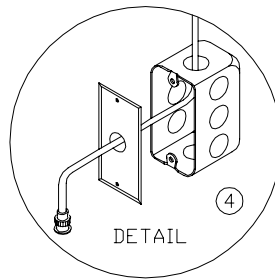


BASKETBALL 4-FACE SCBD, DUAL SCBDS, SIX L.R.C., E.O.P. W/ATL. CTRL. PTS. & CSS-3 SYSTEM		 NEVCO SCOREBOARD CO. GREENVILLE, ILLINOIS 62246
DRAWING NO. C10118		
DRAWN BMK	DATE 11/16/04	SHEET 1 OF 2

NOTES

1. FLOOR BOXES MUST BE EARTH GROUNDED TO THE SAME GROUND OR GUARANTEE IS VOID.
- ② CONTROL CABLE RG-58/U, 1/4" DIAMETER. IF ANY CABLE LENGTH EXCEEDS 500' CONTACT THE NEVCO FACTORY. CABLE VOLTAGE IS 5 VOLTS. FOR CONDUIT INSTALLATION: 1/2" CONDUIT REQUIRED
- ③ FOR ELECTRICAL POWER REQUIREMENTS OF EACH ITEM REFER TO OTHER DRAWINGS OR SPECIFICATIONS.
- ④ WALL BOX 4" x 2 1/8" x 2 1/8" W/COVER
- ⑤ CONTROL CABLE 25' W/CONNECTORS
- ⑥ WALL BOX 4" x 2 1/8" x 2 1/8" W/COVER
- ⑦ WALL BOX 6" x 6" x 4" W/6" X 6" COVER
- ⑧ "T" CONNECTOR
- ⑨ TERMINATED "T" CONNECTOR
- ⑩ JUMPER CABLE 15" W/CONNECTOR
- ⑪ 25' 2 CONDUCTOR CABLE
- ⑫ 2-GANG FLOOR BOX
- ⑬ 2-GANG FLOOR BOX
- ⑭ 2-GANG FLOOR BOX
15. REFER TO DRAWING C5824 FOR FLOOR BOX DETAILS.




EXTRA ITEMS TO ORDER FROM NEVCO

- ② 009-0084 (20 EA.) LENGTHS REQUIRED
- ⑧ 010-0079 (11 EA.)
- ⑨ 210-0007 (1 EA.)
- ⑩ 603-1818 (11 EA.)
- ⑫ 239-0019 (2 EA.)
- ⑬ 239-0066 (2 EA.)
- ⑭ 239-0067 (2 EA.)
- 210-0008 (12 EA.) 2-WIRE (BNC) CONNECTOR

CERTAIN CONNECTORS, BOXES AND CABLES ARE FURNISHED WITH THE EQUIPMENT SHOWN. ONLY THE "EXTRA ITEMS" ARE NEEDED TO COMPLETE THIS SYSTEM.

NEVCO MANUFACTURES OTHER CSS MODELS THAT MAY MEET YOUR FUTURE NEEDS, CONTACT THE FACTORY OR YOUR REPRESENTATIVE.

BASKETBALL 4-FACE SCBD, DUAL SCBDS, SIX L.R.C., E.O.P. W/ATL. CTRL. PTS. & CSS-3 SYSTEM		 NEVCO SCOREBOARD CO. GREENVILLE, ILLINOIS 62246
DRAWN BMK		
DATE 11/16/04	DRAWING NO. C10118	
SHEET 2	OF 2	