

1/4" DIA. CONTROL CABLE

1/4" DIA. CONTROL CABLE

CONNECT TO CONTROL

FOR INDOOR USE, DRY LOCATION

FACE & CABLE  
ILLUSTRATION  
FOR SCD-5  
2-WIRE  
OPERATION

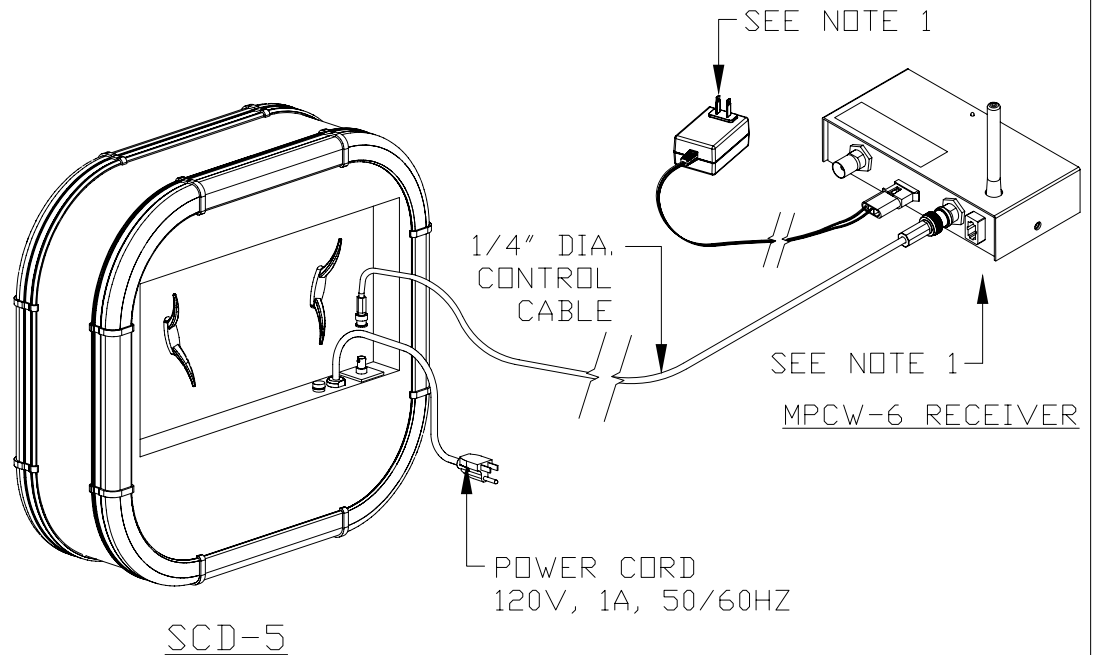
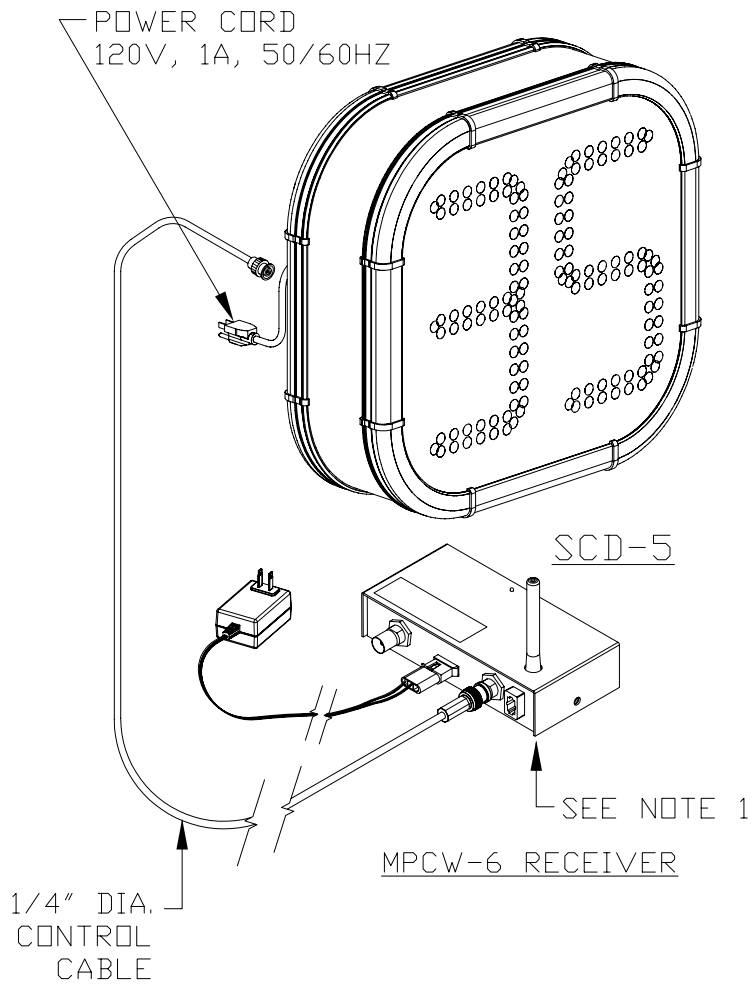


NEVCO SCOREBOARD CO.  
GREENVILLE, ILLINOIS 62246

DRAWING NO. C10121

DRAWN HW DATE 11/17/04


SHEET 1 OF 1



NOTE

1. FOR MPCW-6 RECEIVER AND CONTROL INFORMATION SEE C9922.
2. MOUNTING BRACKETS PROVIDED TO MOUNT RECEIVER ON TOP OF SHOT CLOCK.

FOR INDOOR USE, DRY LOCATION

FACE & CABLE ILLUSTRATION FOR SCD-5 W/MPCW-6 WIRELESS OPERATION		 NEVCO SCOREBOARD CO. GREENVILLE, ILLINOIS 62246
DRAWN HW DATE 11/17/04		
DRAWING NO. C10122		SHEET 1 OF 1