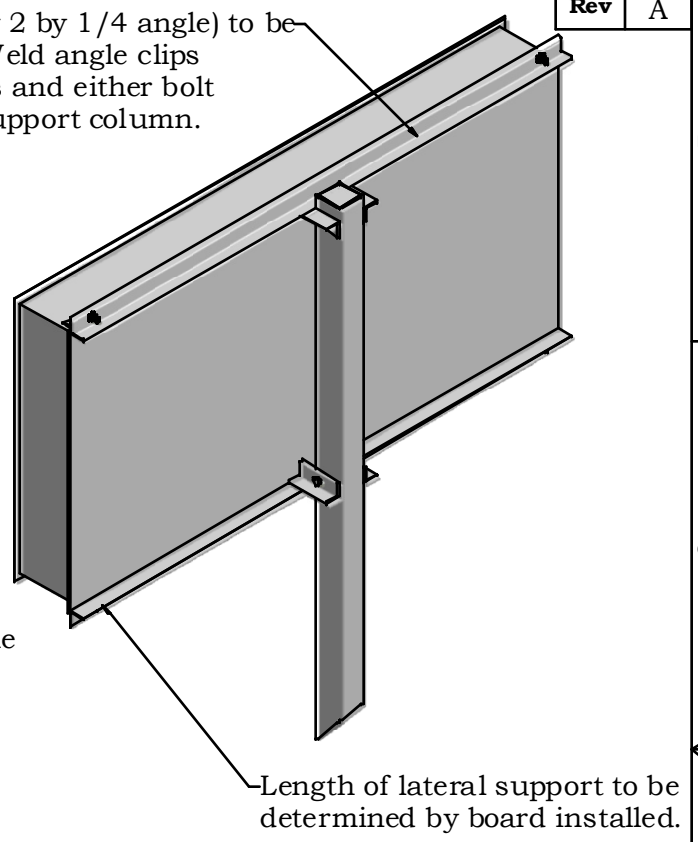
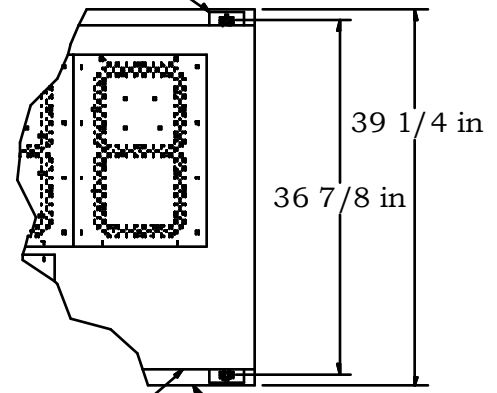
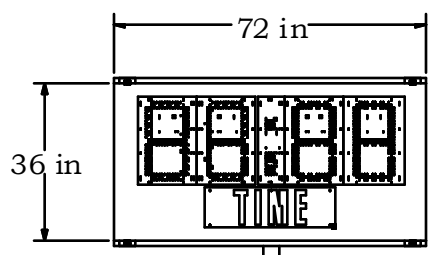


Clips supplied by Nevco

Lateral supports (2 by 2 by 1/4 angle) to be supplied by others. Weld angle clips to the lateral supports and either bolt or weld them to the support column.



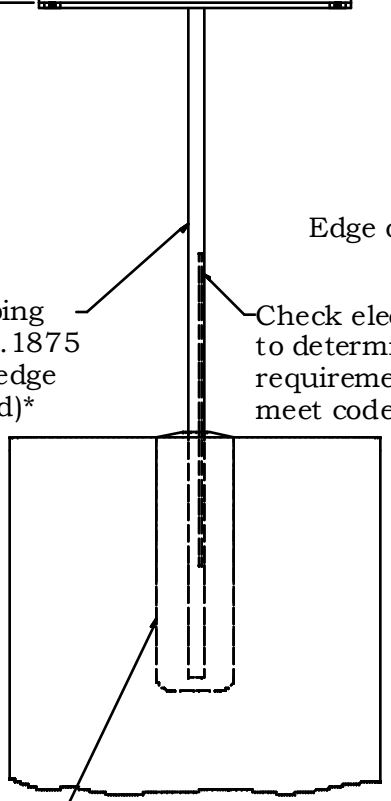
Edge of scoreboard

Edge of 2 by 2 angle

Length of lateral support to be determined by board installed.

Steel Box Tubing
3.5 by 3.5 by .1875
(with bottom edge
8' from ground)*

Check electrical prints
to determine conduit
requirements (must
meet codes)



Coarse aggregate concrete
Minimum 18" diameter
Minimum 5' deep*

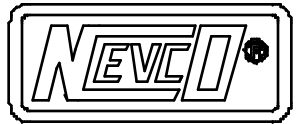
Important. Read before installation*

This is not an engineered drawing. It is intended for representation purposes only. The dimensions called out on this drawing are intended to be used as a guide only, and are not intended to be suitable for all conditions. Information specific to the scoreboard being used, such as assembly instructions and electrical connections, may be found in the installation manual for that scoreboard.

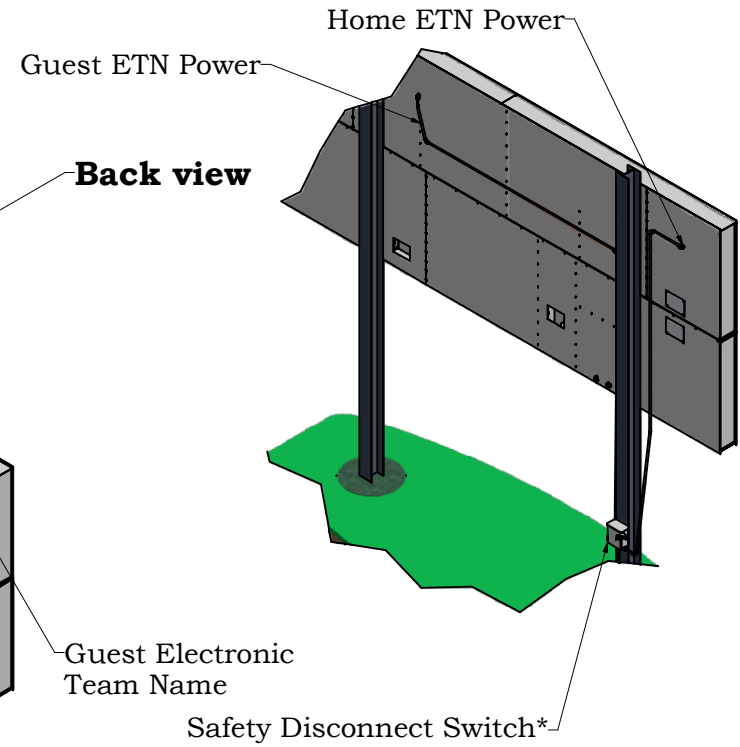
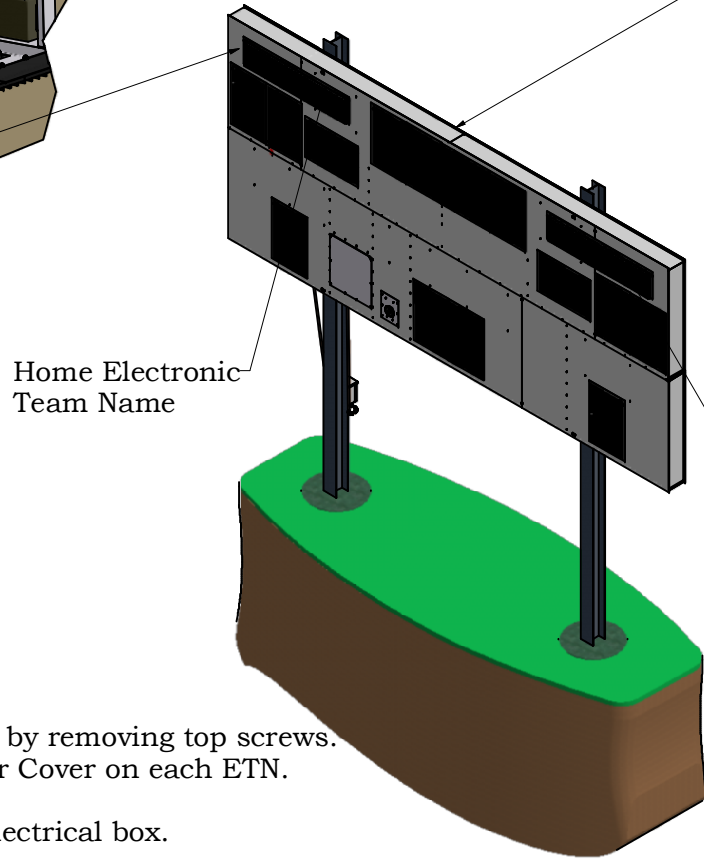
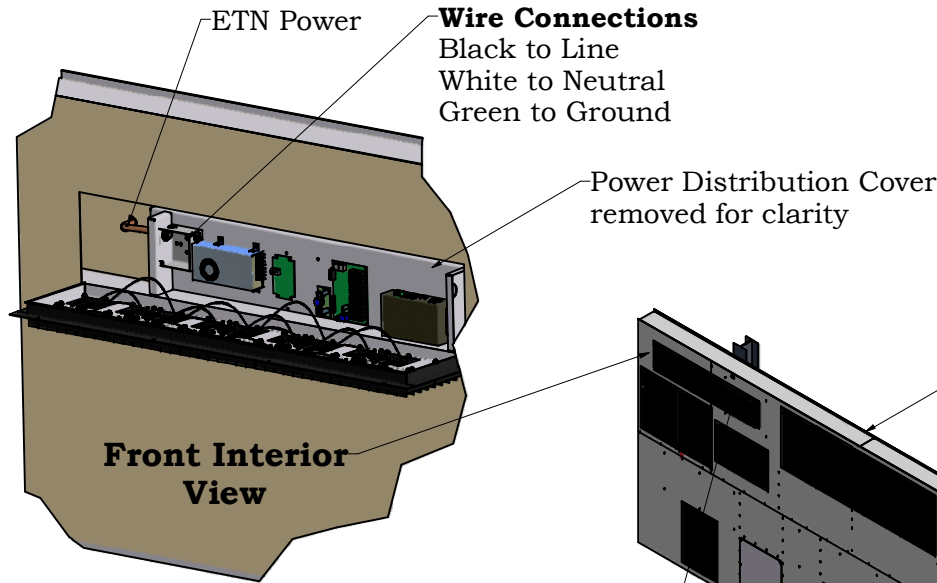
Nevco recommends that you consult a professional engineer or architect familiar with the area before attempting installation. They can verify that the brackets, screws, and other hardware items supplied by you or Nevco are adequate for your local soil conditions, wind loads and other conditions. If procedures are used that are not covered in this drawing, careful analysis of the installation is urged.

Notes:

1. Scoreboard covered by this drawing are 9505, PSD, and DGT-5.
2. Cabinet shown is 9505. Cabinet dimensions for PSD and DGT-5 is 48" by 48".
3. Column length as shown above (minimum concrete depth and 8' from ground is 15'10" for the 9505. Column length for the PSD and DGT-5 is 16'10". Column end to bottom of concrete is figured at 3 inches.*

Installation for Single Section Scoreboard Requiring One Column		 Nevco Scoreboard Company Greenville, Illinois 62246
		Drawing No. 241-0281
Drawn BRS	Date 06/02/08	Sheet 1 of 1

ETN Power cutouts located behind Home and Guest team names (power is required to both). If power is run elsewhere, plug holes with caps supplied by Nevco.



ETN Power Installation

1. Open "Home" and "Guest" ETN's by removing top screws.
2. Remove Power Distribution Inner Cover on each ETN.
3. Remove Electrical Box Cover.
4. Run power through conduit to electrical box.
5. Connect power as shown above.
6. Replace inner covers.
7. Close ETN doors and replace screws.

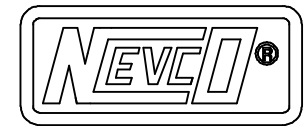
Important. Read before installation.

This sign is intended to be installed in accordance with the requirements of Article 600 of the National Electrical Code and/or other applicable local codes. This includes proper grounding and bonding of the sign. All personnel who work with electrical connections must be educated in the safe procedures for installing and repairing electrical connections before they are given the responsibility of performing such tasks. Conduit and fittings are supplied by installer.

All conduit, connectors and boxes must be raintight.

* National Electrical Code requires a disconnect switch within sight of sign or lockable within the building. If neither is available, install a disconnect at the scoreboard.

Electronic Team Name Power Installation



Nevco Scoreboard Company
 Greenville, Illinois 62246

Drawing No. 275-0126

Drawn **BRS** Date **11/07/08**

Sheet 2 of 2